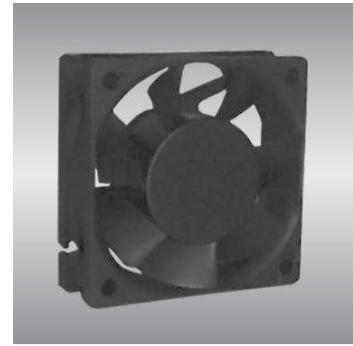


# 60

## AGE series

60X60X20mm



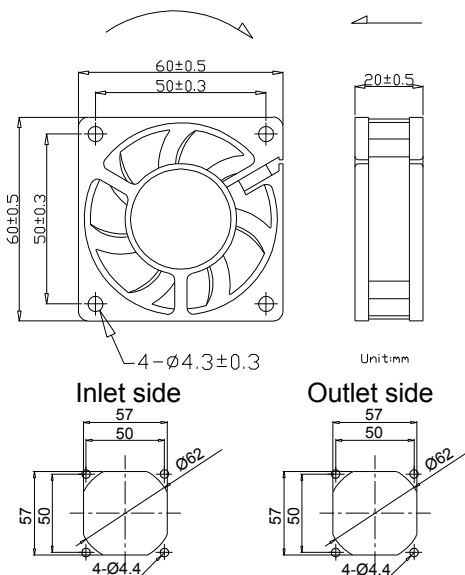
### ● General Specification

- Material ----- Frame & Impeller : PBT (UL94V-0)
- Operation Temp. -- Two ball bearing : -10°C~70°C  
Fluid bearing : -10°C~50°C
- Lead Wires ----- UL 1007 AWG#24 (2 wires) / 26 (3 wires) / 28 (4 wires)  
Red Wire : +                      Yellow Wire : Tach signal  
Black Wire : -                     Blue Wire : PWM control
- Weight ----- 50g

### ● Specification \*Bearing system B:two ball bearing F:fluid bearing

Model	*Bearing System	Rated Voltage	Operating Voltage	Rated Current	Rated Speed	Maximum Air Flow	Maximum Air Pressure	Sound Level	P-Q Curve		
P/N	B / F	V	V	A	RPM	m <sup>3</sup> /min	CFM	mm-H <sub>2</sub> O	In-H <sub>2</sub> O	dB-A	No.
AGE06020B12J	B	12	7.0~13.2	0.07	3200	0.38	13.5	3.0	0.12	24	①
AGE06020B12L	B	12	7.0~13.2	0.09	3600	0.42	14.8	3.8	0.15	26	②
AGE06020B12M	B	12	7.0~13.2	0.11	4000	0.46	16.4	4.8	0.19	29	③
AGE06020B12H	B	12	7.0~13.2	0.13	4400	0.51	18.1	5.8	0.23	31	④
AGE06020B12U	B	12	7.0~13.2	0.17	4800	0.56	19.6	6.9	0.27	33	⑤

### ● Drawing & Panel Cut Outs



### ● Characteristic Curves

